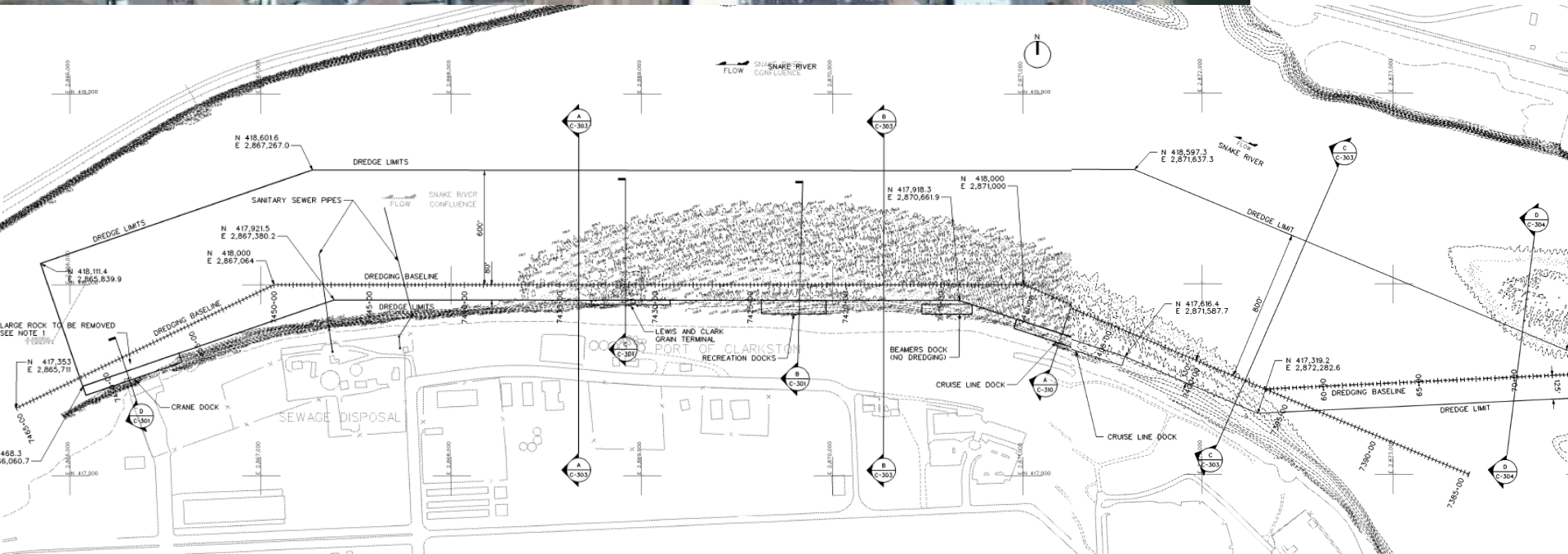
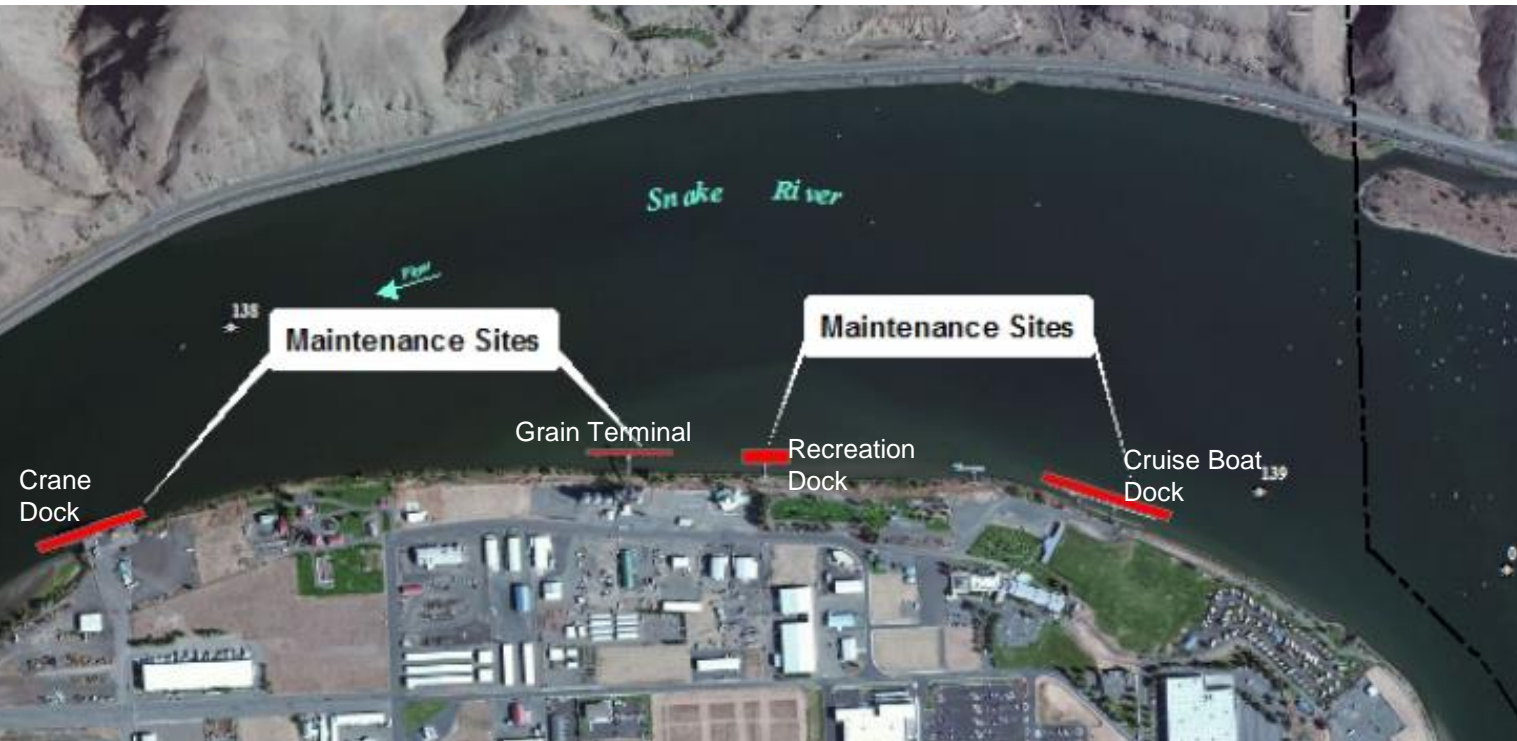
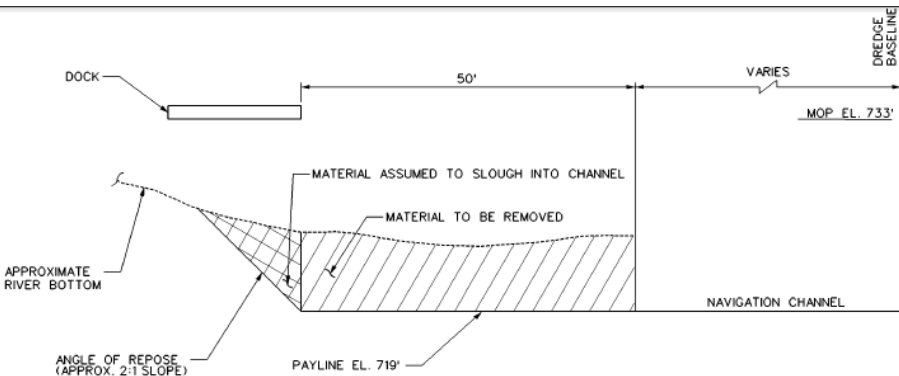


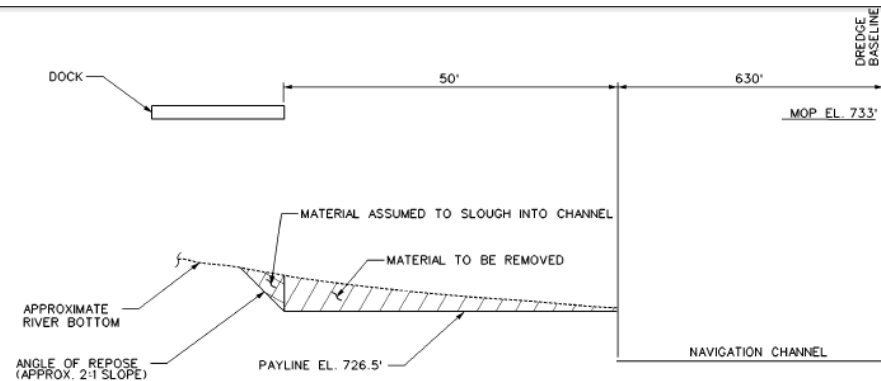
# Port of Clarkston Dredging— Project Map #1 (PM1)



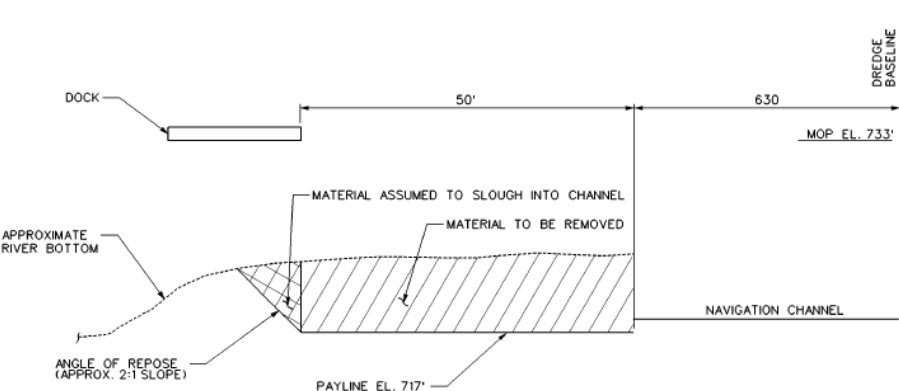
# Port of Clarkston Sediment Removal Cross Sections—Project Map #2 (PM2)



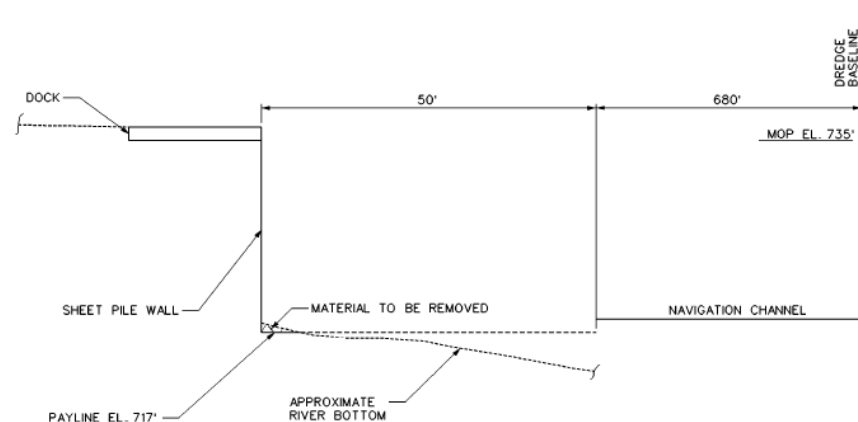
REF C-102 VOL 2 **A** PORT OF CLARKSTON: CRUISE LINE DOCK  
TYPICAL SECTION: STA. 7403+00 THROUGH 7411+00  
NOT TO SCALE



REF C-102 VOL 2 **B** PORT OF CLARKSTON: RECREATION DOCK  
TYPICAL SECTION: STA. 7422+00 THROUGH 7425+00  
NOT TO SCALE

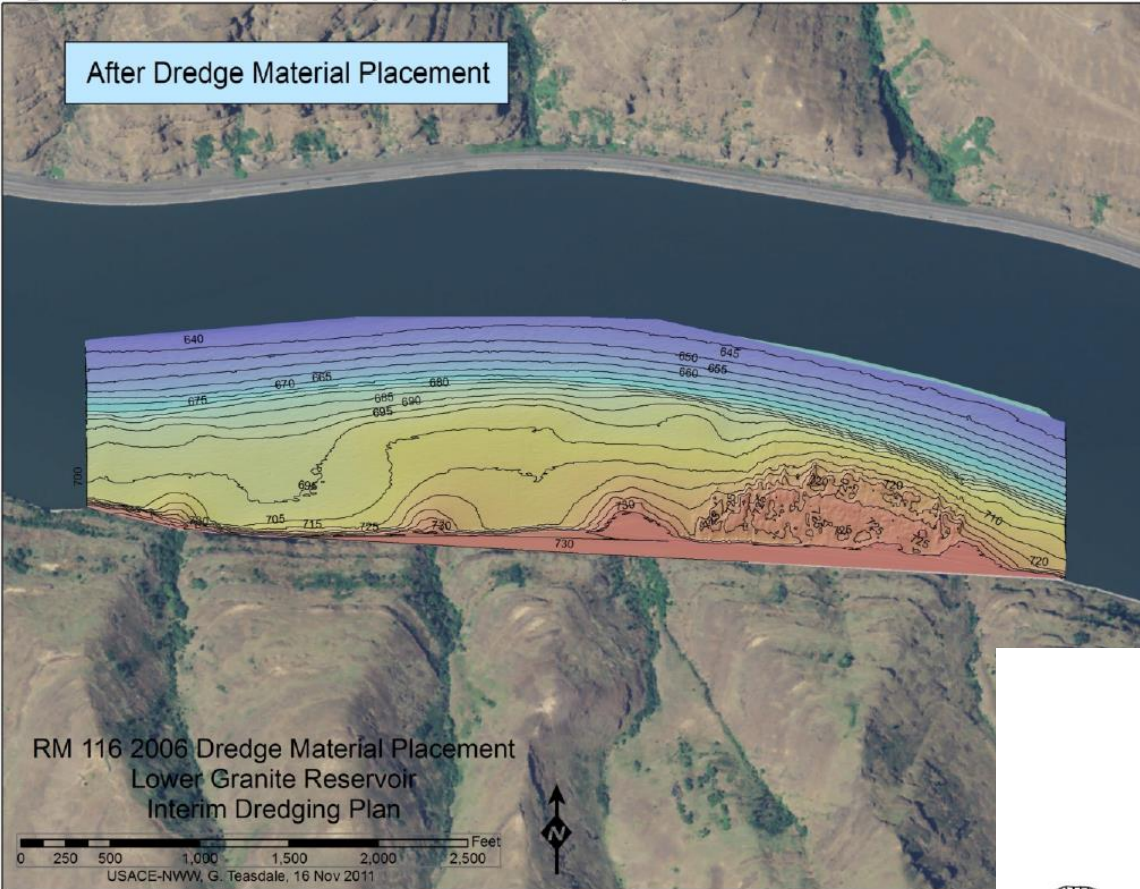


REF C-102 VOL 2 **C** PORT OF CLARKSTON: LEWIS AND CLARK GRAIN TERMINAL  
TYPICAL SECTION: STA. 7429+00 THROUGH 7434+00  
NOT TO SCALE

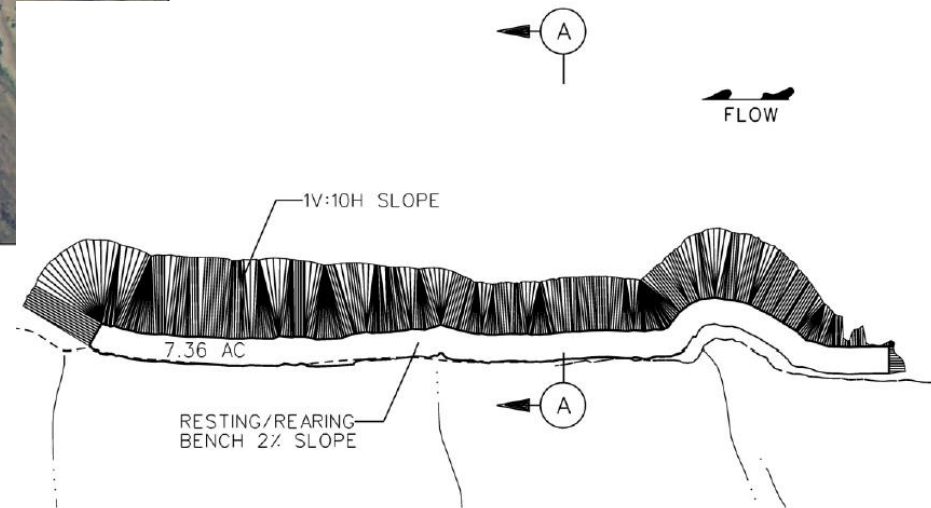


REF C-102 VOL 2 **D** PORT OF CLARKSTON: CRANE DOCK  
TYPICAL SECTION: STA. 7456+00 THROUGH 7462+00  
NOT TO SCALE

After Dredge Material Placement



# RM 116 Disposal Site – Knoxway Canyon—Project Map #3 (PM3)



DREDGE MATERIAL DISPOSAL SITE - DETAIL

